

Meal Plan Dining

EXPERIENCES FOR EVERY APPETITE

DAAP Café

Monday - Friday: 8 a.m. - 3 p.m.
Meal Plan Exchange
Grab & Go

Aronoff Center

OTG ON THE GREEN

Monday - Sunday:
10:30 a.m. - 8 p.m.
Dine-in

Marian Spencer Hall

CENTER COURT

Monday - Friday: 7 a.m. - Midnight
Saturday - Sunday: 8 a.m. - Midnight
Dine-in

Mick & Mack's

Monday - Sunday: 10:30 a.m. - 7 p.m.
Carryout only

Tangeman University Center

Bookstore

Campus Recreation Center

STADIUMVIEW

Monday - Friday: 10:30 a.m. - 4:30 p.m.
Dine-in & Carryout

MarketPointe @Siddall

Monday - Thursday: 7 a.m. - 9 p.m.
Friday: 7 a.m. - 2 p.m.
Dine-in

MarketPointe at Siddall

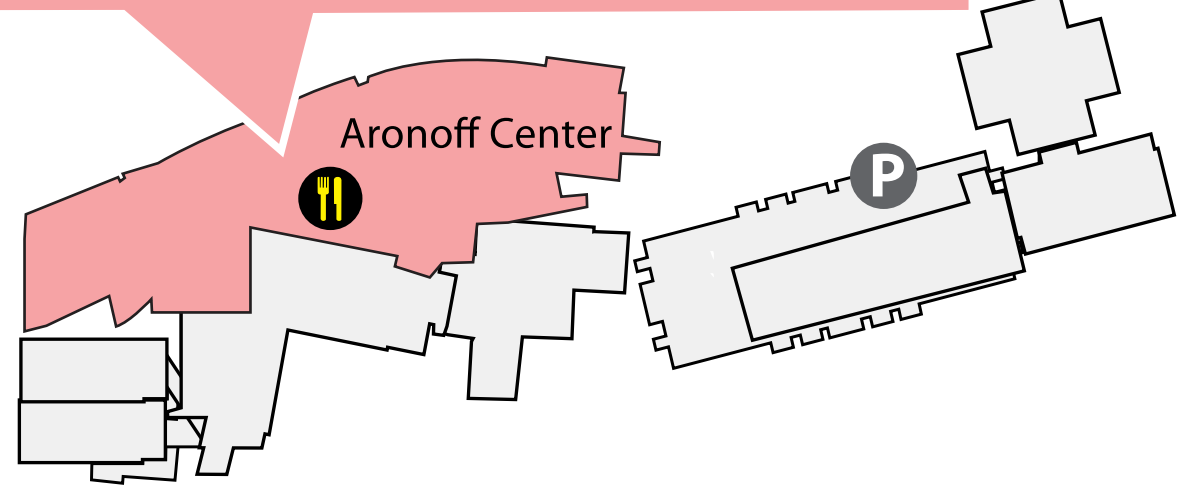
Hours may vary for holidays
or special campus events

Meal Plan Dining

EXPERIENCES FOR EVERY APPETITE

DAAP Café

Monday - Friday: 8 a.m. - 3 p.m.
Meal Plan Exchange
Grab & Go



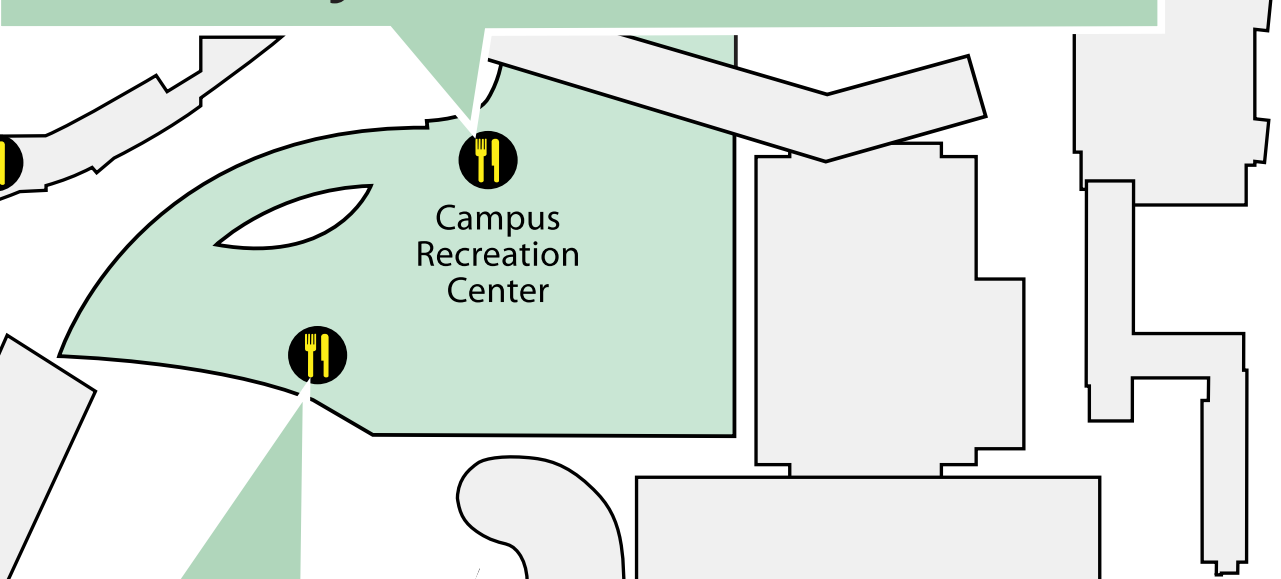
OTG ON THE GREEN

Monday - Sunday:
10:30 a.m. - 8 p.m.
Dine-in only



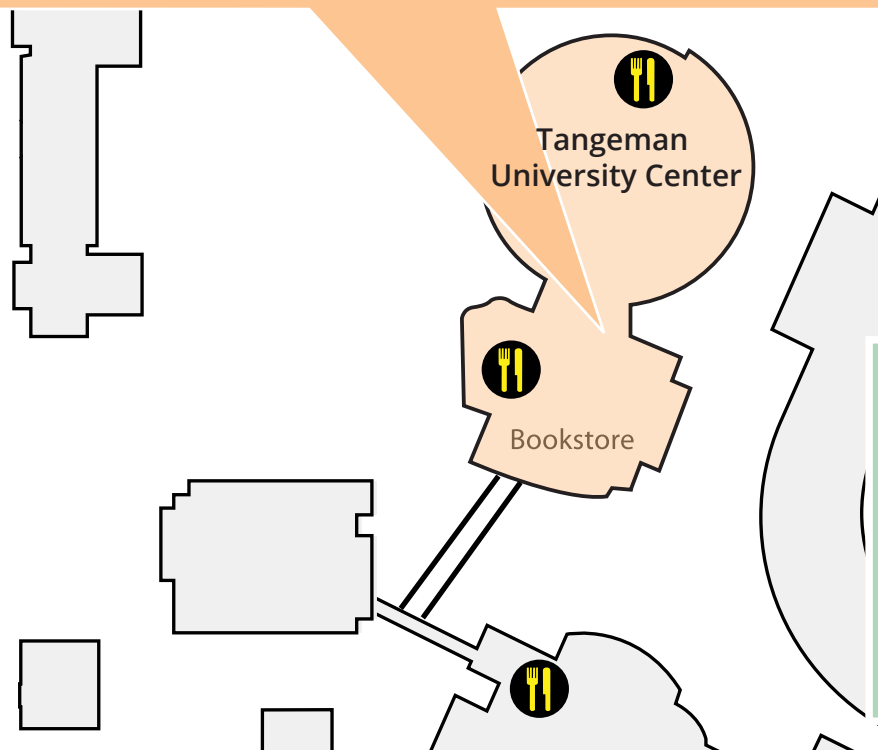
CENTER COURT

Monday - Friday: 7 a.m. - Midnight
Saturday - Sunday: 8 a.m. - Midnight
Dine-in only



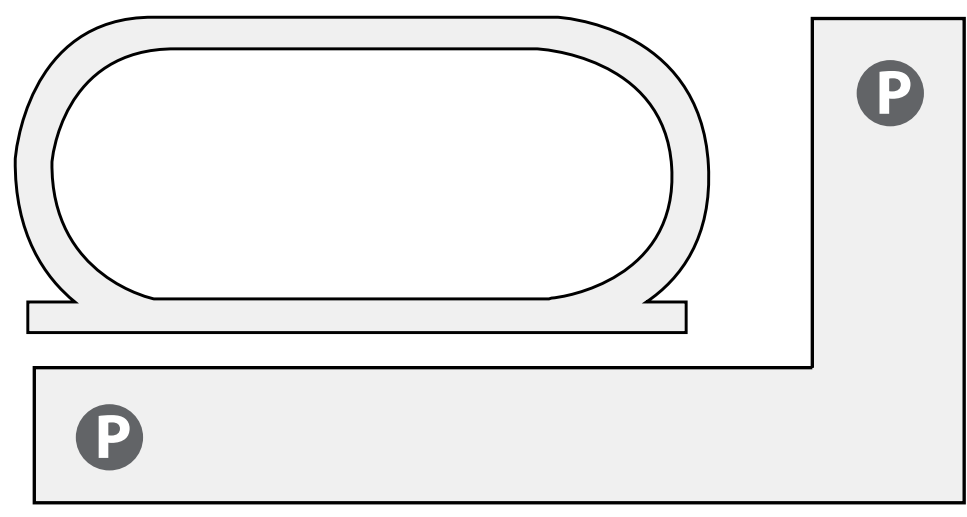
Mick & Mack's

Monday - Sunday: 10:30 a.m. - 7 p.m.
Carryout only



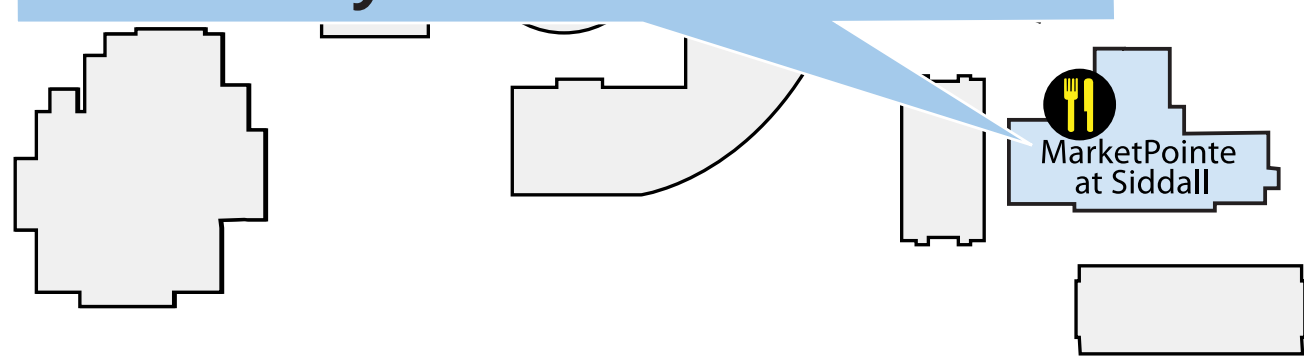
STADIUMVIEW

Monday - Friday: 10:30 a.m. - 4:30 p.m.
Dine-in & Carryout



MarketPointe @Siddall

Monday - Thursday: 7 a.m. - 9 p.m.
Friday: 7 a.m. - 2 p.m.
Dine-in only



Hours may vary for holidays
or special campus events